

Fig. 1



S Art. N15029 4,0Kg.

M Art. N15030 4,5Kg.

L Art. N15031 5,5Kg.

XL Art. N15032 6,0Kg.



TESTATO E CERTIFICATO
TESTED AND APPROVED
GEPRÜFT UND ZERTIFIZIERT



max: ???Kg.

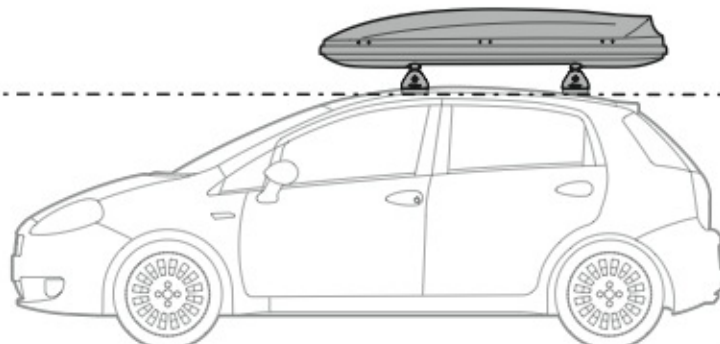


Fig. 2



Safety Regulations

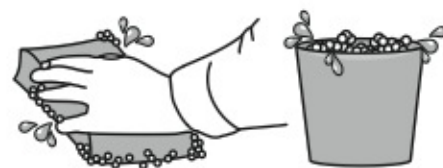
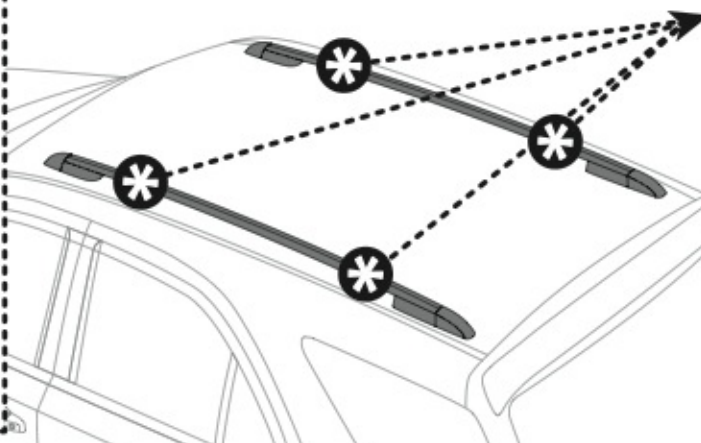


Fig. 3

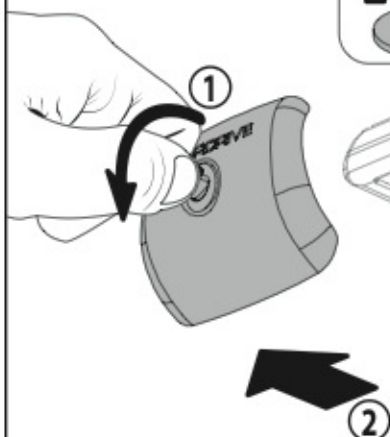
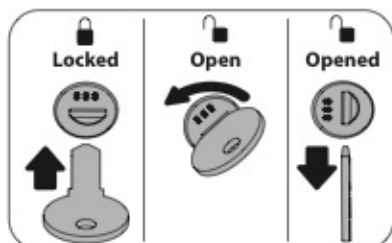


Fig. 4

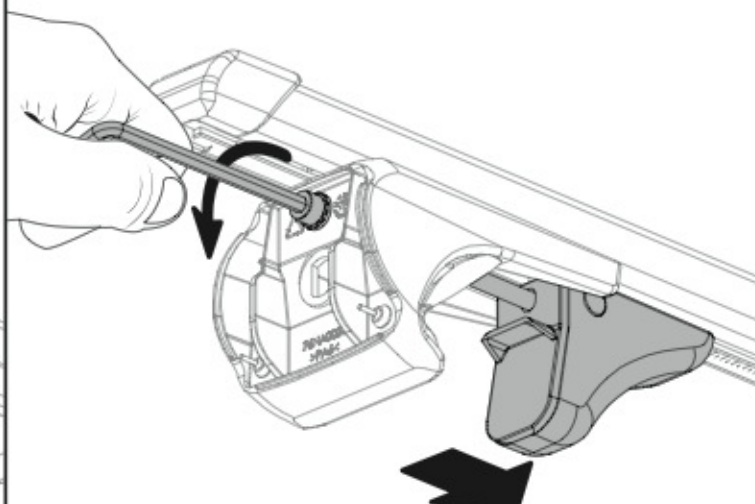


Fig.5

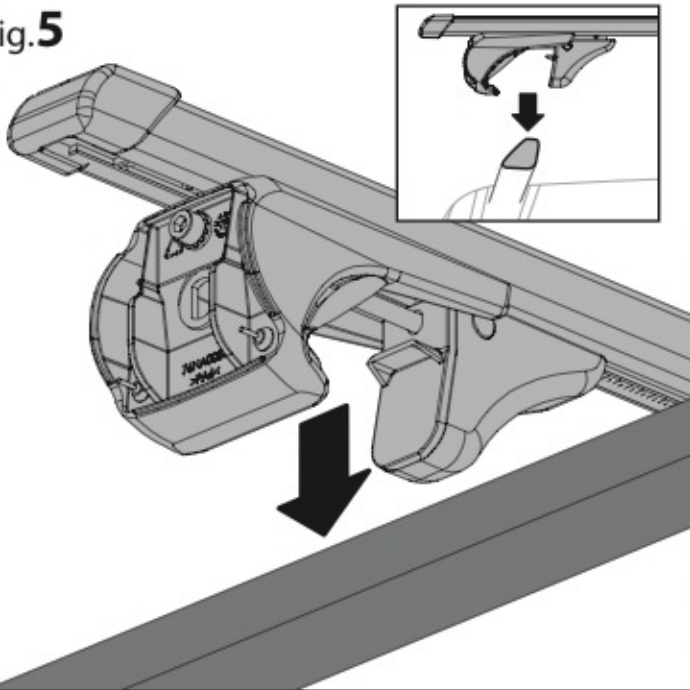


Fig.6

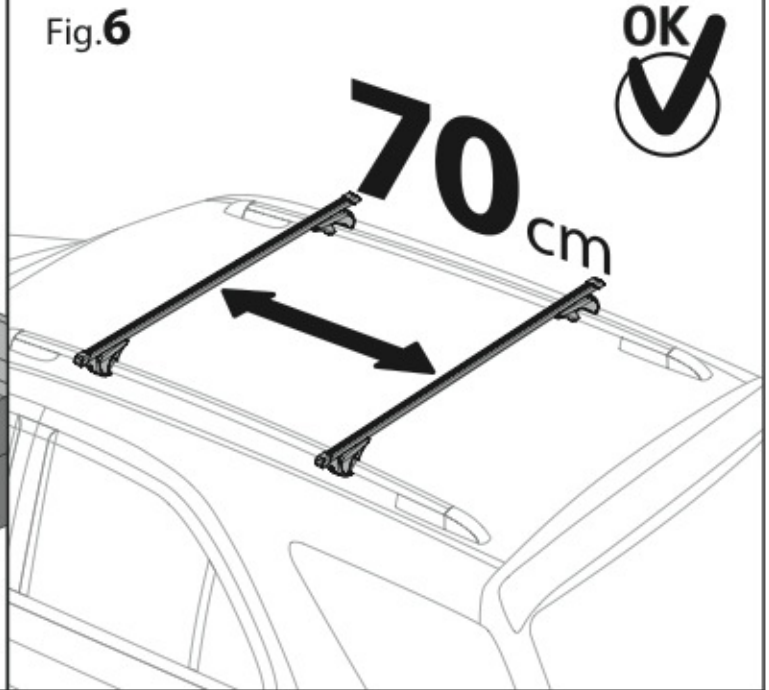


Fig.7



Fig.8

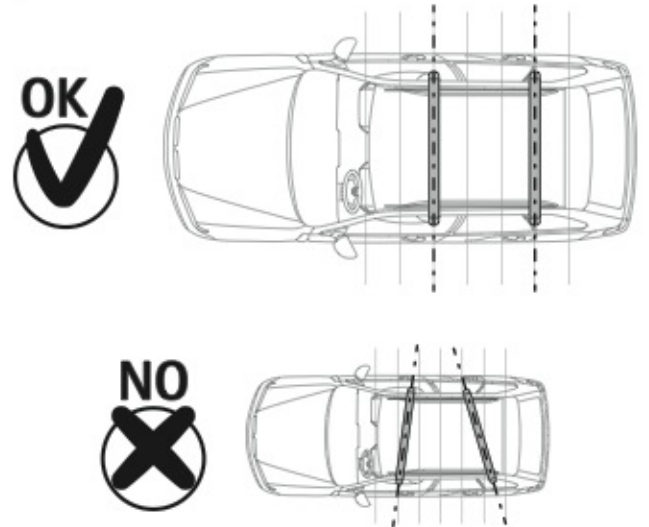


Fig.9

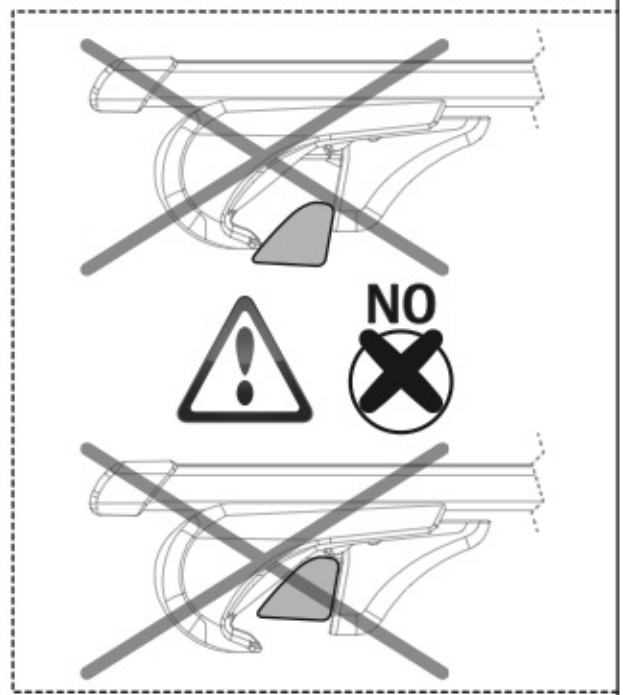
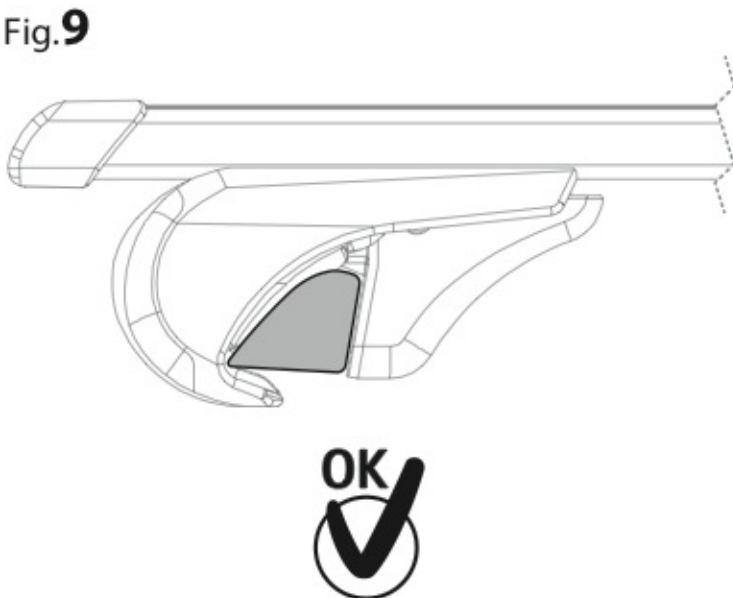


Fig. 10

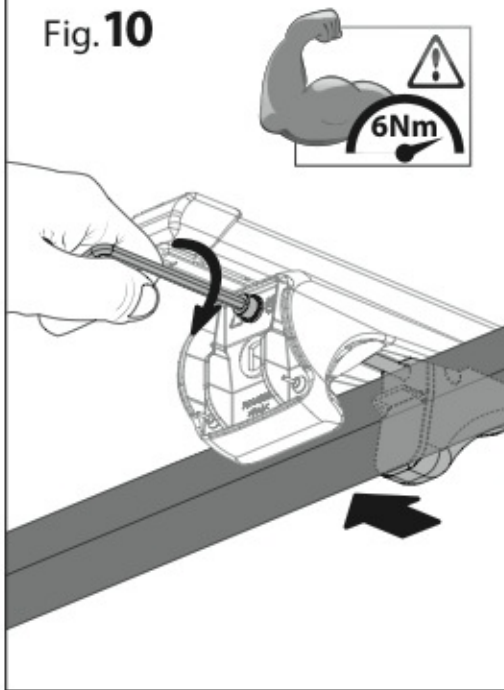


Fig. 11

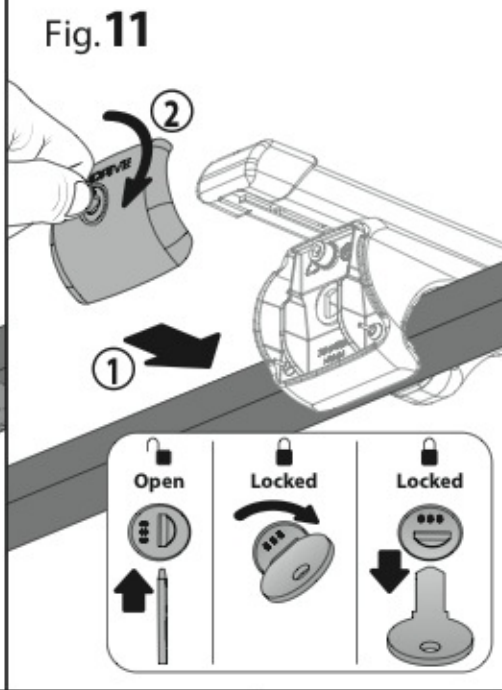


Fig. 12

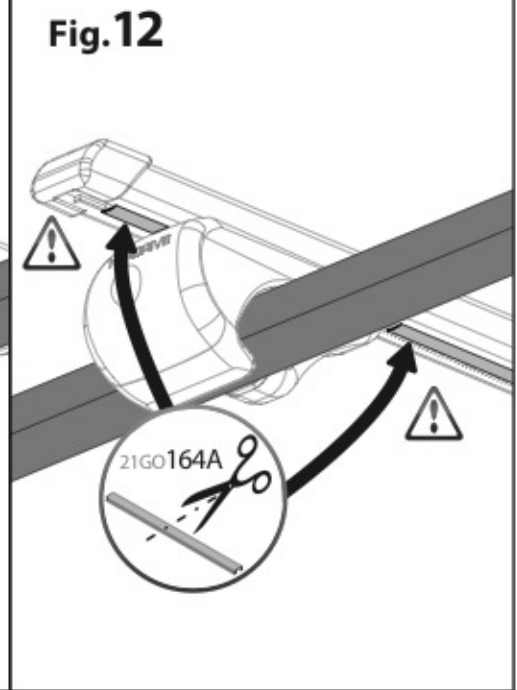


Fig. 13

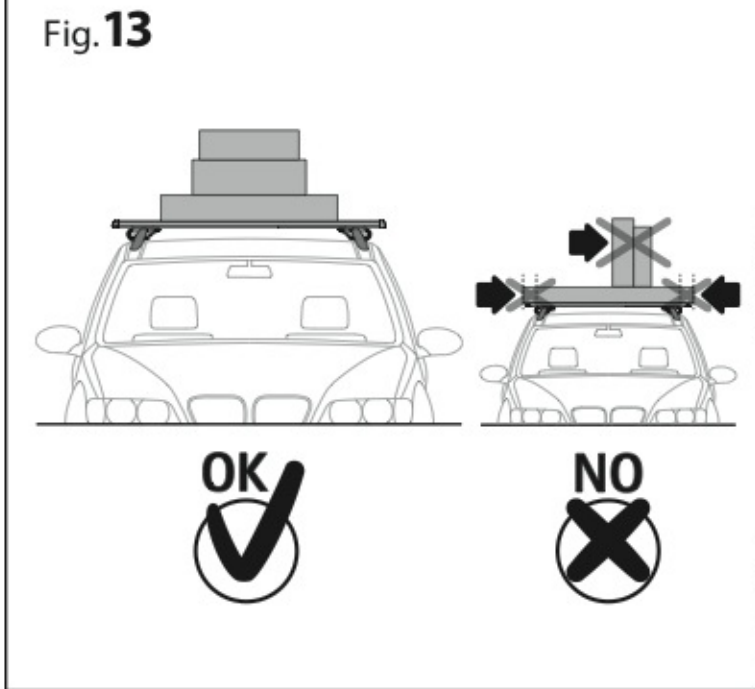
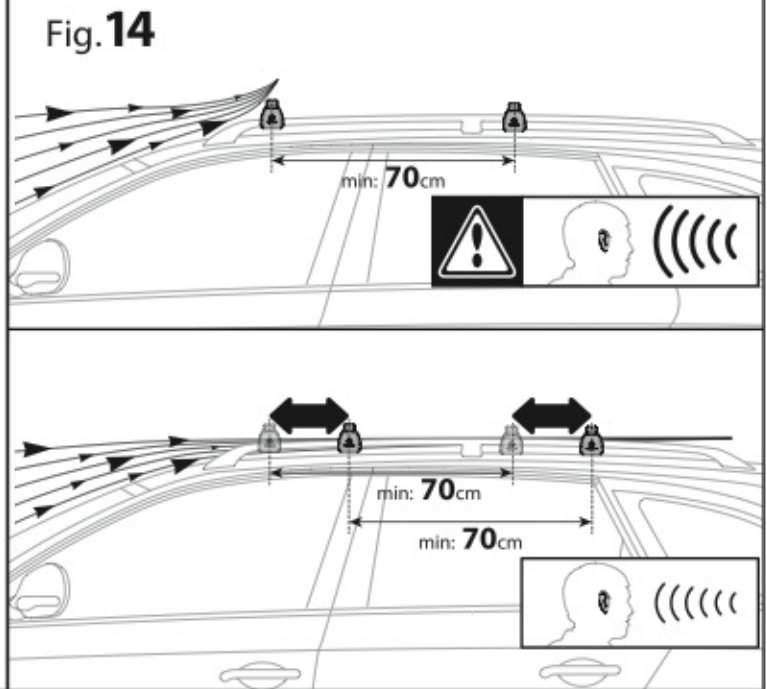


Fig. 14



NORDRIVE
TRANSPORT SOLUTIONS

is a registered trademark of

LAMPA S.p.A.

46019 Viadana (MN) ITALY

Ditta certificata UNI ENI ISO 9001:2008

www.nordrive.it www.lampa.it